

# Inquiry form profiPANEL-profiPLUS

**Customer:**

**Contact partner:**

**Phone:**

**Email address:**

**Quantity:**

**Target price:**

**profiPANEL Standard**

**Enclosure depth 90mm**



## Standard execution

Enclosure:	Extruded profiles, silver anodised
Front plate fixed:	3mm, silver anodised
Rear wall:	3mm, silver anodised with lock and hinge
Lock and hinge:	Powder coating, silver metallic
Edge cover:	Polyamid (PA), RAL7035
Ingress protection:	IP65 / EN 60529
Temperature range:	-20°C up to +60°C

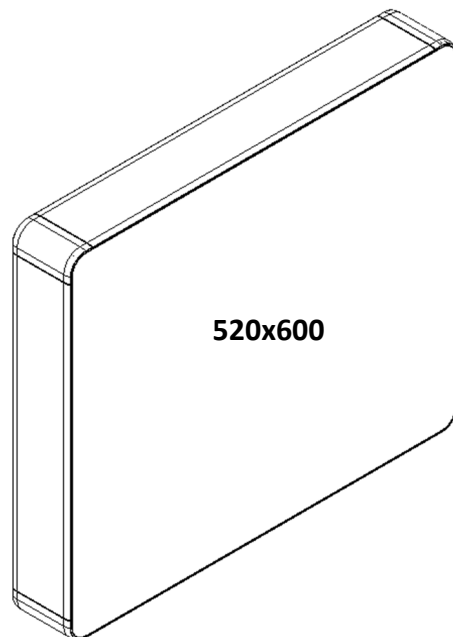
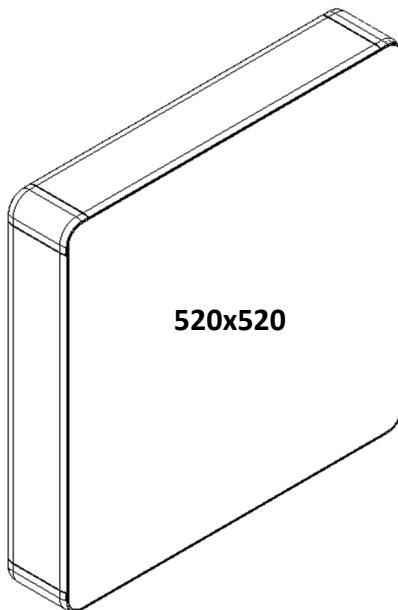
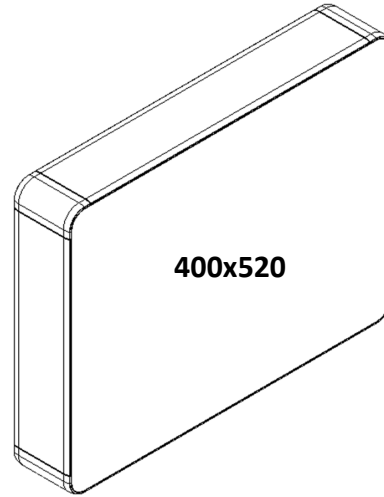
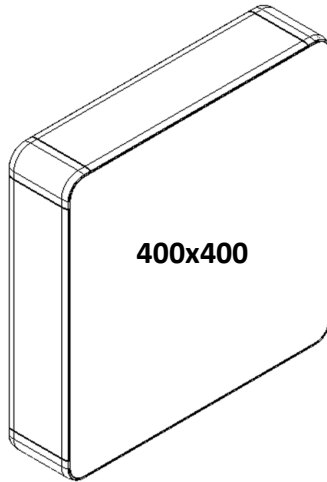
# profiPANEL - Standard

Enclosure depth 90mm  
(max. mounting depth 84mm)



Our *passion* is enclosures.

## Enclosure sizes HxW





Our passion is enclosures.

### HMI Panel

SIEMENS

BECKHOFF



Rockwell Automation

ICP IEI  
INDUSTRIAL COMPUTER PRODUCTS

Schneider Electric

ASEM  
DIGITAL AUTOMATION TECHNOLOGIES

ADVANTECH

OMRON

Type/part.-no.: \_\_\_\_\_

Others: \_\_\_\_\_

Type/part.-no.: \_\_\_\_\_

**Circulation of air distance consider?**

Yes

No

### Front plate

Installation/machining only for front plate, e.g. switch, push button and so on:

### Handle system



both side



below



Our passion is enclosures.

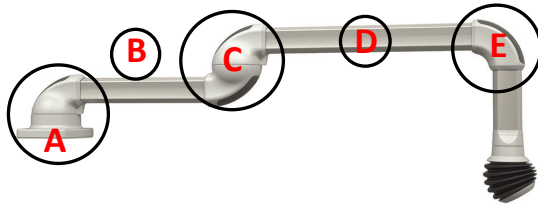
## Mounting on suspension system profiPLUS

Upright version \*\*

Hanging version \*\*

### Horizontal installation Please note: Maximum system length 2m

\*Not for over-head assembling



\*Wall joint



\*Socket joint



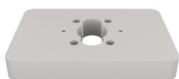
\*Wall joint smart



\*Socket joint smart



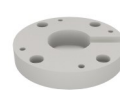
Universal wall joint adjustment smart



Universal socket joint adjustment smart



Socket joint profile adjustment smart



Wall joint profile adjustment smart



Support profile 1 B

250mm

500mm

750mm

1000mm

1500mm

\_\_\_\_\_mm



Intermediate joint

Support profile 2 D

250mm

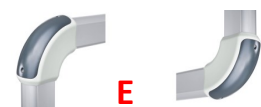
500mm

750mm

1000mm

1500mm

\_\_\_\_\_mm



Elbow



Signal light adaption



Our passion is enclosures.

## Vertical installation



\*\*It's not allowed with intermediate joint!

### Support profile 1 B

250mm

500mm

750mm

1000mm

1500mm

\_\_\_\_\_mm



### Support profile C

250mm

500mm

\_\_\_\_\_mm



### Support profile F

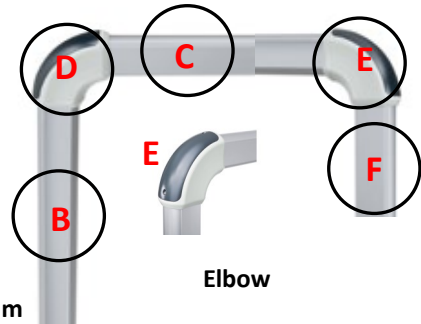
250mm

500mm

750mm

1000mm

\_\_\_\_\_mm



Signal light adaption **D**

Signal light adaption **E**

## Enclosure couplings

### Coupling



### Coupling N



### Elbow coupling



### Profile length F

L = 250mm

L = 500mm

L = 750mm

L = 1000mm

L = \_\_\_\_\_mm

### Elbow coupling N

