

Inquiry form multiPANEL

Customer:

Contact partner:

Phone:

Email address:

Quantity:

Target price:



Standard execution

Surface coating:	Powder coating RAL 9005 deep black
Front plate:	3mm, silver anodised
Lock and hinge:	RAL 9005 deep black
Decorative inlay surface:	Stainless steel inlay V2A
Ingress protection:	IP65 / EN 60529
Temperature range:	-20°C bis +60°C
External dimension max.:	800 x 800mm
External dimension min.:	150 x 150mm



Our passion is enclosures.

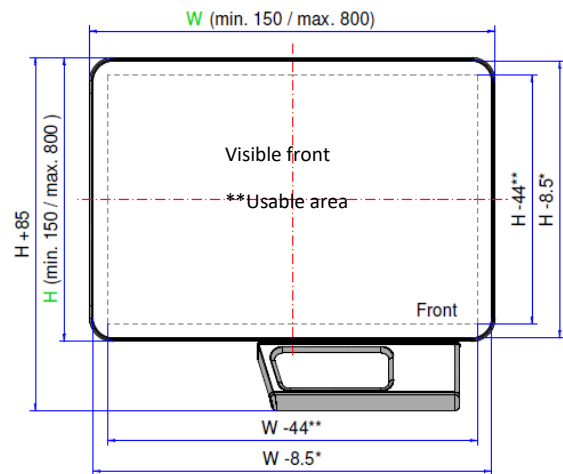
Enclosure-/Front plate dimensions H x W

Enclosure HxW: _____ mm

Front plate HxW: _____ mm

Dimension by installed equipment

MPD 70 (with permanently connected front plate)



Rear wall variants MPD 70



MPD 7000



MPD 7011

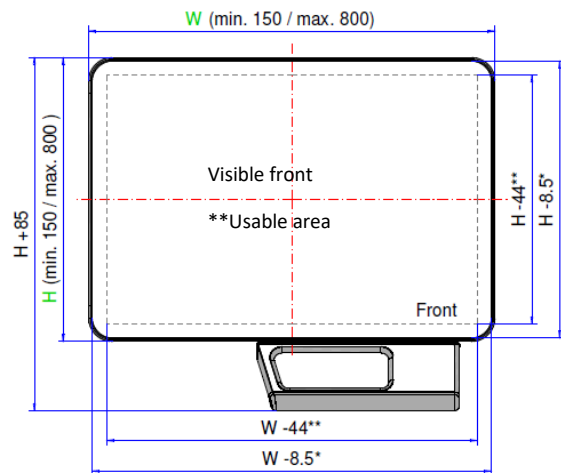


MPD 7012



Our passion is enclosures.

MPD 85 (with permanently connected)



Rear wall variants MPD 85



MPD 8500



MPD 8511



MPD 8512

HMI Panel

SIEMENS

BECKHOFF

B&R A member of the ABB Group

Rockwell Automation

icp iei INDUSTRIAL COMPUTER PRODUCTS

Schneider Electric

ADVANTECH

OMRON

Typ: _____

Others: _____

Circulation of air distance consider?

Further installed equipment, e.g. switch, push button and so on.



Our passion is enclosures.

Others / Accessories

Handle with stainless steel inlay (Dimension min. 300mm, with coupling min. 625mm)

Emblem by stainless steel inlay

Emblem by front plate

Screen printing

Digital printing

Profile handle

on both sides

Down (only without panel coupling)

*Keyboard tray (450mm)

Rigid (15° grade)

Swiveling, stageless

Mouse tray

*Keyboard tray shortened (380mm) for keyboards with a trackball

(*Enclosure amplitude min. 334mm)

Special colour inkl. rear wall RAL-Classic: _____

Special colour front plate RAL-Classic: _____

Mounting on suspension system profiPLUS

Upright version **

Hanging Version **

Desk coupling *

VESA 75 *

* Mounting only on bolted flush rear wall

VESA 100 *

** Mounting only on 70mm front profile

Wall connection **

Horizontal installation Please note: Maximum system length 2m

*Not for over-head assembling

***Wall joint**
A

***Wall joint smart**
A

Wall joint profile adjustment smart

***Socket joint**
A

***Socket joint smart**
A

Socket joint profile adjustment smart

Signal light adaption

Support profile 1 B
250mm
500mm
750mm
1000mm Intermediate joint
1500mm
_____mm

Support profile 2 D
250mm
500mm
750mm
1000mm
1500mm
_____mm

Elbow
E

Signal light adaption

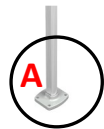
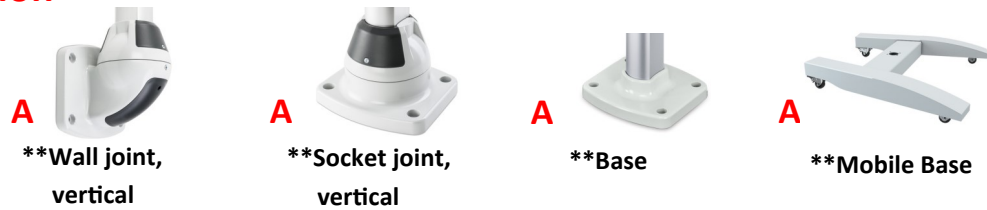
Universal socket joint adjustment smart

Universal wall joint adjustment smart



Our passion is enclosures.

Vertical installation



****It's not allowed with intermediate joint!**

Support profil 1 **B**

250mm

500mm

750mm

1000mm

1500mm

_____mm



Elbow

Support profil 2 **C**

250mm

500mm

_____mm



Signal light adaption **D**

Signal light adaption **E**

Support profil 3 **F**

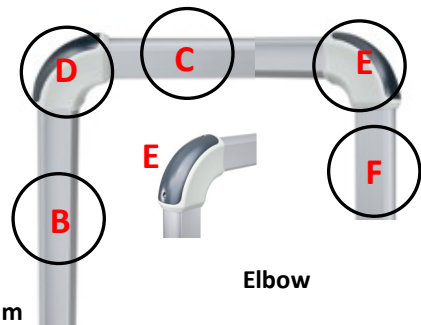
250mm

500mm

750mm

1000mm

_____mm



Elbow

Enclosure couplings

*Panel coupling



hanging



upright

*Panel coupling N



hanging



upright

Elbow panel coupling



hanging



upright

Elbow panel coupling N



hanging



upright

*Profile length **F**

L = 250mm

L = 500mm

L = 750mm

L = 1000mm

L = _____mm

*Desk coupling N



hanging



upright

Elbow desk coupling N



hanging



upright

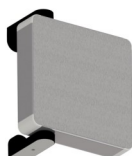
VESA Adapter



Wall - Profile mounting

Wall connection

left



right



Cable bushing

above

below

Desk connection



Cable bushing

right

left