



Our *passion* is enclosures.



## **taraSMART**

The evolution of a classic: A sophisticated suspension arm system for modern machine construction.  
The perfect symbiosis of technical design and sophistication.

# taraSMART

The evolution of a classic, and the perfect addition to the HMI control enclosure series, profiPANEL & multiPANEL



Our passion is enclosures.

## Tried and tested technology with a new design



### The most important product features of taraSMART at a glance:

- Tried and tested technology, modern design
- Possible to route connectors such as HDMI, DVI or network adapters
- Quick and easy assembly
- Simple adaptation of panel PCs with a round tube receptacle
- Ingress protection IP54

Find out more at [www.rolec.de/en](http://www.rolec.de/en)



## On or rather to the machine body?

The taraSMART joints can be fastened both on as well as to the machine body. The relatively small fastening dimensions of just 90 x 90 mm (socket joint) or 110 x 90 mm (wall joint) are impressive. In addition to both of these fastening options, there is also a base with a slender fastening dimension of just 90 x 90 mm, which can be fastened on the floor.

The advantages at a glance:

- Three fastening options (socket joint, wall joint and base)
- Overhead assembly of the joints possible
- Small fastening dimensions (from 90 x 90 mm)
- Perfect symbiosis of system components to your machine's mounting surface

## Round or angular? After the elbow, how should things proceed?

Thanks to both elbow variants "Profile elbow" and "Ø48 Elbow", you have the possibility of adaptation to a command enclosure using one of the couplings from the taraSMART system. Using the Ø48 elbow, you can directly connect all panel PCs that have a receptacle for a Ø48 round tube. No coupling is required for this.

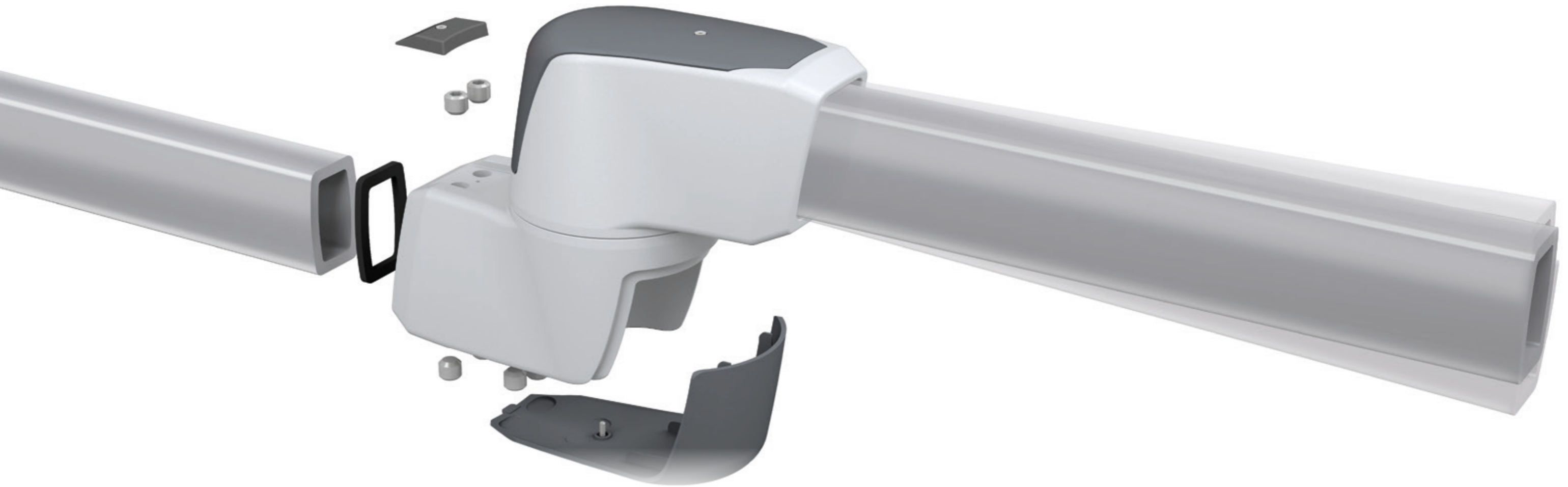


## Options for connecting to individual command enclosures and panel PCs made by leading manufacturers with a round tube receptacle.

With the taraSMART design, we present the latest generation of modern suspension arm technology. This harmonises perfectly with that of modern machines. taraSMART makes a time-saving assembly possible with internal cable routing. A practical rotation limitation is integrated as a standard.

The aesthetic and, at the same time, stable design leaves nothing to be desired on a technical level. Intelligent components make almost any conceivable set-up combination possible. Thanks to the adaptation option with the elbow onto a Ø48 round tube, numerous panel PC made by leading manufacturers can be connected quickly and easily. Using the tapered panel coupling, narrower command enclosures can be easily connected.





## The precision of tried and tested technology.

For taraSMART, our designers, mechanical engineers and developers have recollected that the best things are often very simple. Also here, less is more. Therefore, the inside of taraSMART has been reduced to the essentials. Tried and tested technology with a modern look.

The slim and elegant design of the system components protects the cables inside of the system against excessive friction and guarantees continuous functionality of the connections made.

## Easy assembly, perfect adjustment.

In addition to a modern look, naturally, easy assembly is what primarily counts. Here too, taraSMART is impressive. The assembly of the system components is very simple and can be performed correspondingly quickly.

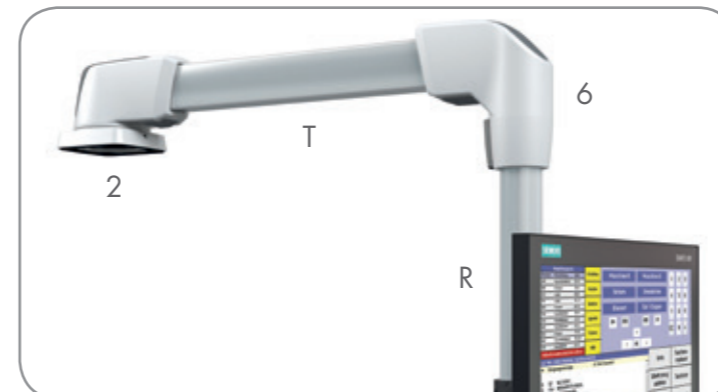
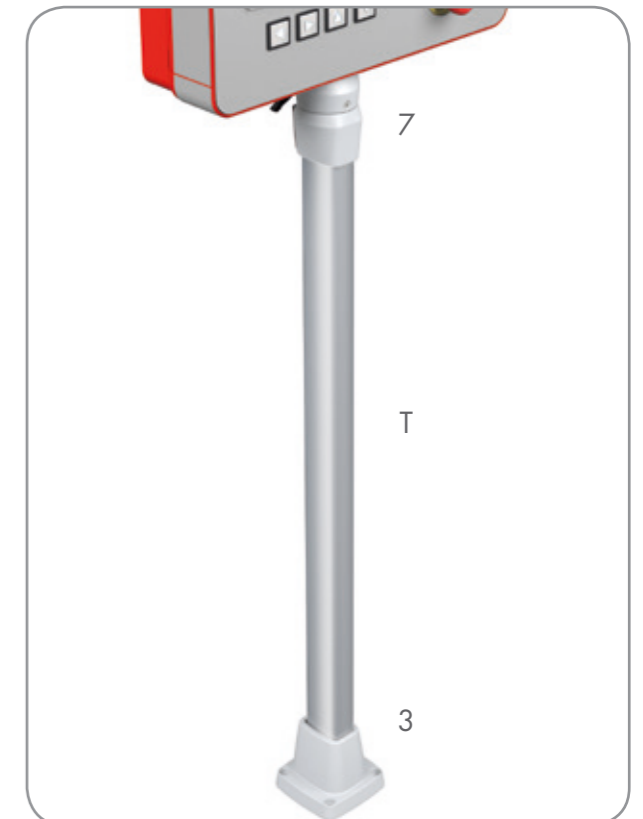
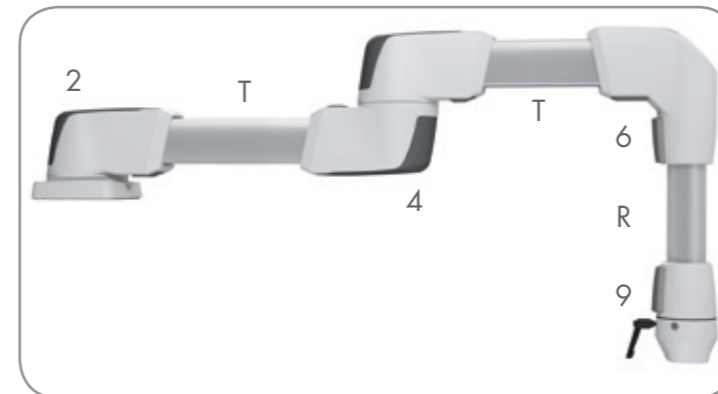
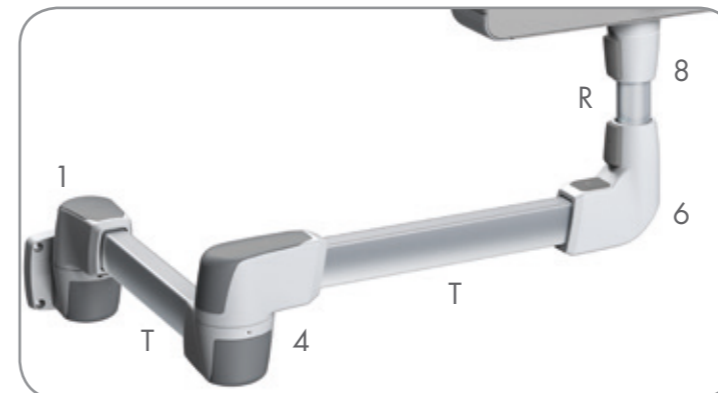
The horizontal adjustment of the system is performed via a tried and tested principle that has already been used for other ROLEC suspension arm systems. It allows for an optimal adjustment of the system at all joints.



Thanks to its system diversity, profiPLUS offers a whole host of combination options for individual suspension arm configuration. The example variants presented here serve as orientation aids and examples of the diversity.

ROLEC's team will be happy to advise you on the configuration of a suspension arm tailored specifically to your requirements.

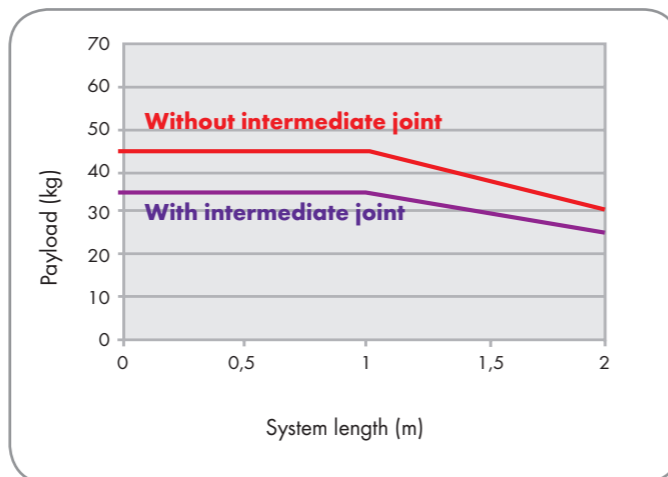
- 1 Wall joint
- 2 Socket joint
- 3 Base
- 4 Intermediate joint
- 5 Profile elbow
- 6 Ø48 elbow
- 7 Wall joint
- 8 Coupling Ø48
- 9 Panel coupling Ø48
- T Support profile, length is variable
- R Ø48 round tube, length is variable




### A great deal of interior space.

Both in the case of the profile as well as in the case of the Ø48 round tube, taraSMART offers a great deal of space for the routing of cables, such as HDMI cables, DVI cables or network adapters. Routing through the inside of the profiles can be performed quite quickly and easily thanks to the straight inner walls.

In the adjacent graphic, you can see how the load-bearing capacity of the system behaves as the system length becomes longer and how it behaves without an intermediate joint.






**Support profile**  
 144.500.250 L = 250 mm  
 144.500.500 L = 500 mm  
 144.500.750 L = 750 mm  
 144.501.000 L = 1000 mm

Extruded aluminium profile  
 silver anodised



**Round tube Ø48**  
 144.510.250 L = 250 mm  
 144.510.500 L = 500 mm  
 144.510.750 L = 750 mm  
 144.511.000 L = 1000 mm

Steel  
 silver-coated




**Profile elbow**  
 141.020.000

RAL 7035/7016




**Ø48 elbow**  
 141.020.001

RAL 7035/7016




**Socket joint**  
 141.005.000

Max. range of rotation 300°  
 RAL 7035/7016




**Wall joint**  
 141.010.000

Max. range of rotation 230°  
 RAL 7035/7016




**Panel coupling profile**  
 141.025.500

upright/hanging  
 Max. range of rotation 320°  
 RAL 7035/7016




**Panel coupling Ø48**  
 141.025.501

upright/hanging  
 Max. range of rotation 320°  
 RAL 7035/7016




**Socket joint vertical**  
 141.005.001

Max. range of rotation 300°  
 RAL7035/7016




**Wall joint vertical**  
 141.010.000

Max. range of rotation 300°  
 RAL 7035/7016




**Profile coupling**  
 141.025.000

upright/hanging  
 Max. range of rotation 310°  
 RAL 7035/7016




**Coupling Ø48**  
 141.025.001

upright/hanging  
 Max. range of rotation 310°  
 RAL 7035/7016



**Base**  
 141.030.000

RAL 7035/7016



**Intermediate joint**  
 141.015.000

Max. range of rotation 300°  
 RAL 7035/7016

### Technical data

**System components**  
 Die cast aluminium, RAL 7035 light grey

**Covers**  
 Thermoplast, RAL 7016, anthracite grey

**Support profile**  
 Extruded aluminium profile, silver anodised  
 Round tube Ø48, silver-coated

**Gasket**  
 Chloroprene (CR)

**Ingress protection**  
 IP 54 / EN 60529

### OPTIONAL:

**Coating**  
 Special colours for system elements

**Matching control enclosures**  
 profiPANEL, multiPANEL, commandCASE,  
 multiVISION, aluFACE

# Personal service for everyone

We support and advise all our customers individually. Regardless of whether for an individual item or series production.



Our passion is enclosures.



Expert advice

Everything begins with individual advice. We'll be pleased to support you with your project and find solutions for every requirement. Customer-specific solutions are our speciality.



Sample service

Test our products with your internal mounting. We'll be pleased to send you a sample enclosure for inspection with no strings attached.



Drilling

We'll manufacture every enclosure for you according to your exact specifications – whether they involve precise drilling or large tolerance.



Milling

Thanks to our modern CNC production, we can quickly and efficiently mill custom-fit cut-outs and contours to match your exact specifications.



Engraving

Our services also include engraving your logo and other elements, which we can of course perform in any colour you desire.



Lasering

We can process stainless steel enclosures and plates quickly and reliably according to your individual requirements thanks to our in-house lasering centre.



Assembly

Would you like to have all your components supplied already assembled? No problem. Our assembly team will be pleased to perform all assembly work on your behalf.



Powder coating

We can powder coat enclosures, command enclosures and suspension systems in any RAL colour you desire. Custom colours are of course also possible.



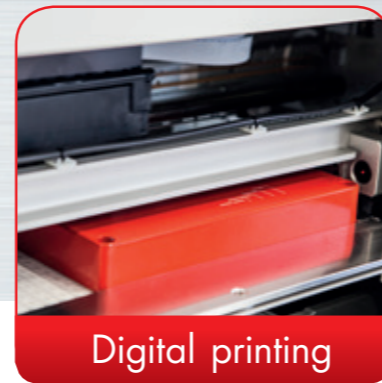
Painting

We can also paint all our enclosures in any RAL colour you desire. The application of primer and special colour structures are possible, as well.



Serigraphy

If desired, we can apply your logo and lettering or other markings using serigraph printing.



Digital printing

Digital printing is particularly worthwhile for low-volume orders and for realising complex patterns or images.



Accessories

ROLEC's portfolio also includes matching front plates, mounting plate, supporting rails and terminal blocks as well as a range of cable glands, blanking plugs etc.



Membrane keypads

We'll be glad to design customised membrane keypads and attach them in accordance with your requirements.



Digital print films

Custom accessories that we can produce and assemble for you also include display foils.



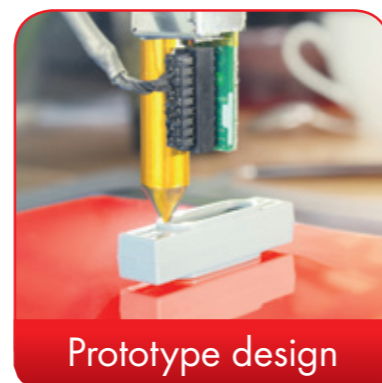
EMC enclosures

We offer our conFORM low-price standard EMC enclosure to protect your internal mounting against electromagnetic radiation. On request, we can also supply an EMC-compliant version of any other ROLEC enclosure.



Displays

We are able to offer the right made-to-measure display for all our enclosures – in varying sizes and degrees of robustness depending on the application.



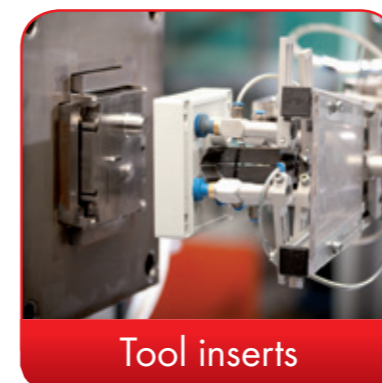
Prototype design

We will visualise your ideas in the planning and development stage, making them tangible. As initial samples for tests or the basis for developing applications.



Special materials

If you need a plastic enclosure in a special material like polycarbonate or ASA (Luran S) – no problem. We'll be pleased to produce limited series for you, too.



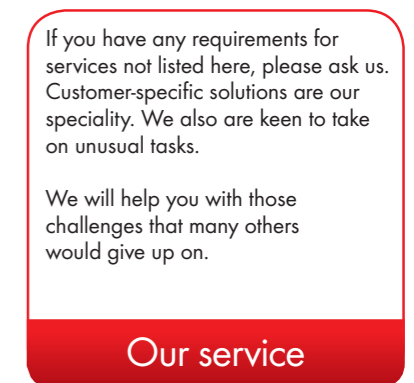
Tool inserts

Our standard tools can accommodate interchangeable inserts in the most frequently used interfaces – allowing modifications to be made. This means that special requests can be realised quickly, reliably and affordably.



Special tools

Our specialists will be pleased to discuss your customised enclosure design for enclosures and enclosure parts produced in large volumes. We can also realise the most unusual project designs quickly and according to your requirements.



Our service

If you have any requirements for services not listed here, please ask us. Customer-specific solutions are our speciality. We also are keen to take on unusual tasks.

We will help you with those challenges that many others would give up on.

# The ROLEC product portfolio

Enclosures, mobile control enclosures, command enclosures, suspension systems



Our passion is enclosures.

## aluDISC



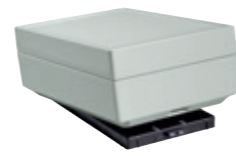
- Fastening of the enclosure without opening the lid
- Dimensions from 110x97x55 mm to 190x179x90 mm
- IP 66, IP 67/EN 60529

## aluCASE



- Fastening of the enclosure without opening the lid
- Dimensions from 75x50x33 mm to 330x200x120 mm
- IP 66, IP 67/EN 60529

## aluCLIC



- World-first quick-change enclosure
- Dimensions from 130x90x70 mm to 200x130x70 mm
- IP 66, IP 67/EN 60529

## aluPLUS



- Designer enclosure with technical finesse
- Dimensions from 125x84x59 mm to 260x160x90 mm
- IP 66/EN 60529

## aluKOM



- The ORIGINAL enclosure from the inventor Friedhelm Rose
- Dimensions from 50x45x30 mm to 600x310x110 mm
- IP 66/EN 60529

## aluNORM



- Versatile combination universal enclosure
- Dimensions from 50x65x40 mm to 640x320x120 mm
- IP 66/EN 60529

## conFORM



- Inexpensive and robust EMC enclosure
- Dimensions from 79x84x44 mm to 268x168x100 mm
- IP 66/EN 60529

## aluTWIN



- Two-chamber enclosure with separate connection spaces
- Dimensions from 166x100x55 mm to 240x240x103 mm
- IP 66/EN 60529

## inoCASE A4



- Fastening without holes in the enclosure interior
- Dimensions from 140x110x60 mm to 430x300x120 mm
- IP 66, IP 67/EN 60529

## inoBOX A2 / A4



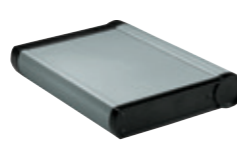
- High quality stainless steel range from A2 and A4
- Dimensions from 100x100x90 mm to 400x300x120 mm
- IP 66/EN 60529

## handCASE



- Highly robust hand-held enclosures
- 4 versions, dimensions from 80x180x42.4 mm to 100x220x62.4 mm
- IP 66, IP 67/EN 60529

## mobilCASE



- Profile enclosures
- 3 standard widths in 2 versions respectively
- 1-part profile IP 65
- 2-part profile IP 54/EN 60529

## aluDISPLAY



- Variable display and operating enclosures for flat modules
- 3 profile sizes, 180, 240 and 300 mm
- IP 54/EN 60529

## starCASE



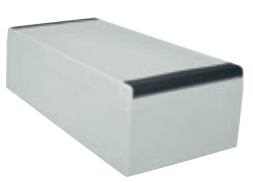
- Elegant designer enclosure made of ASA+PC
- Dimensions from 120x90x50 mm to 280x170x60 mm
- IP 66/EN 60529

## technoDISC



- Round designer enclosure made of ASA+PC
- Dimensions from 110x97x55 mm to 190x179x90 mm
- IP 66/EN 60529

## technoPLUS



- UV-stable premium enclosure from ASA
- Dimensions from 130x90x70 mm to 270x170x90 mm
- IP 66, IP 67/EN 60529

## technoCASE



- Multi-variable enclosure produced from ABS and polycarbonate
- Dimensions from 80x80x60 mm to 360x240x160 mm
- IP 66, IP 67/EN 60529

## technoBOX



- Elegant standard enclosure produced from ABS
- Dimensions from 66x51x35 mm to 241x161x80 mm
- IP 66/EN 60529

## polyTOP



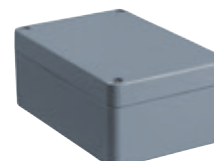
- Modular enclosure from weather-resistant polyester
- Dimensions from 82x82x60 mm to 404x404x160 mm
- IP 66/EN 60529

## polyDOOR



- Stable polyester enclosure with folding lid
- Dimensions from 140x120x100 mm to 320x200x120 mm
- IP 66/EN 60529

## polyKOM



- Robust, weather-resistant polyester enclosure
- Dimensions from 80x75x55 mm to 400x405x120 mm
- IP 65/EN 60529

## multiPANEL



- Premium command enclosure made of aluminium profiles
- Dimensions from 150x150x70 mm to 800x800x130 mm
- Up to IP 65 / EN 60529

## profiPANEL



- Designer command enclosure made of aluminium profiles
- Dimensions from 150x150x60 mm to 800x800x300 mm
- Up to IP 65 / EN 60529

## commandCASE



- Economical command enclosure with design handles
- Dimensions from 230x200x120 mm to 430x300x120 mm
- IP 66/EN 60529

## aluFACE



- Economical with diverse variation options
- 6 variants, dimensions from 120x120x80 mm to 640x320x135 mm
- IP 66/EN 60529

## multiVISION



- 2 versions, numerous variation options
- To the precise millimetre per customer wishes to 800x800x360 mm
- IP 65/EN 60529

## profiPLUS 50 & 70



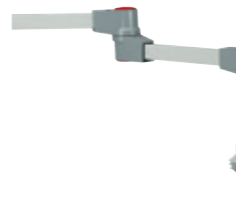
- Designer suspension system with numerous components
- Equipotential bonding
- Simple installation and adjustment/alignment
- IP 54/EN 60529

## taraSMART



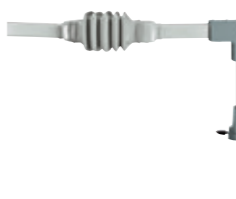
- Technology and design in perfect harmony
- Simple alignment of the system
- Simple cable installation
- IP 54/EN 60529

## taraPLUS



- Enhanced static characteristics
- Simple alignment of the system
- Simple cable installation
- IP 54/EN 60529

## QUADRO



- Stable system for the greatest loads
- Highly durable
- Aluminium/spheroidal graphite iron combination
- IP 54/EN 60529

You can find detailed information on all our products and our company on our website, [www.rolec.de/en](http://www.rolec.de/en)





Our passion is enclosures.



**ROLEC**  
Gehäuse-Systeme GmbH  
Kreuzbreite 2  
D-31737 Rinteln

Fon +49 (0) 5751 4003-0  
Fax +49 (0) 5751 4003-50  
info@rolec.de  
www.rolec.de

