

Product line

profiPLUS 70



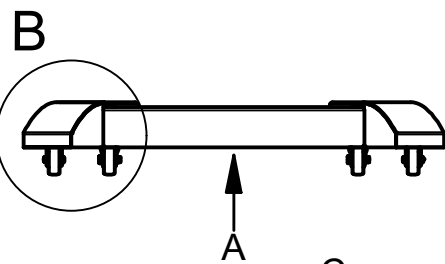
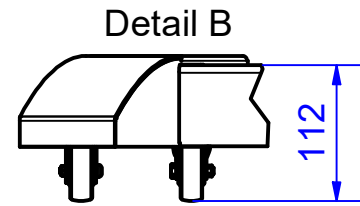
Type:

Mobile base

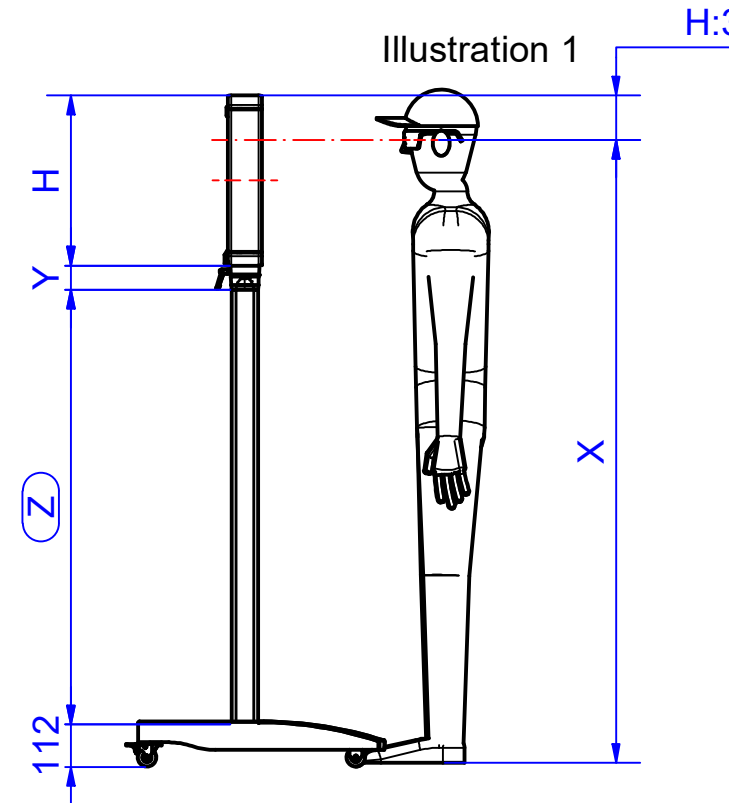
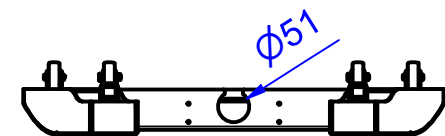
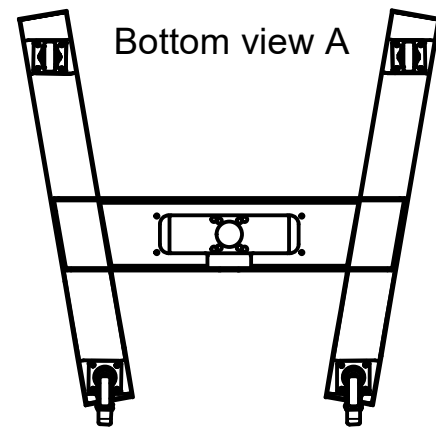
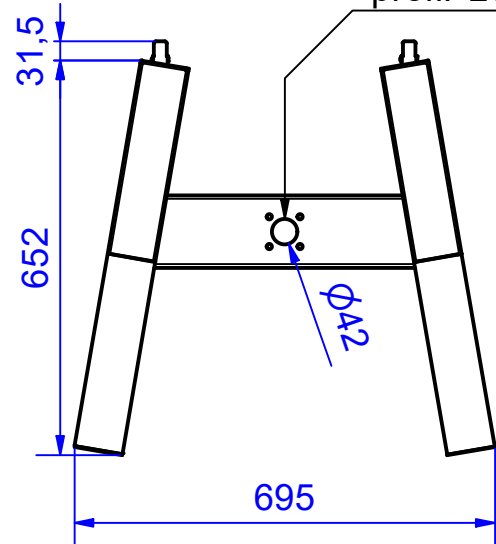
Part-No.:

143.030.160

Optional: Adjustable feet
143.030.161 approx. 73 - 83

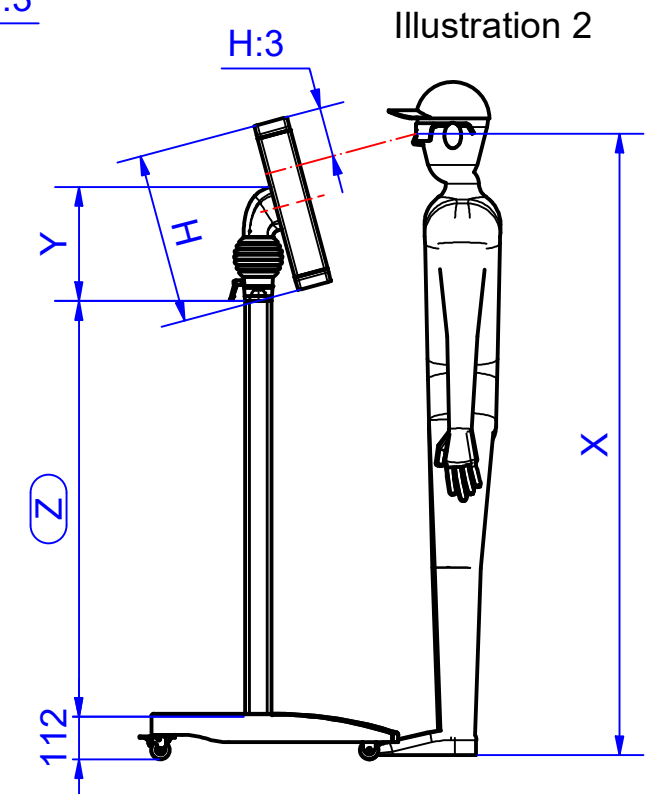


Connection profile
profiPLUS 70



H = Height of command enclosure
X = Eye level

Z = Recommended length of profile
($Z = X - H - Y - 112$)



H = Height of command enclosure
X = Eye level

Z = Recommended length of profile
($Z = X - Y - 112$)

suspension arm elements			
components**	article No.	Y	illustration
coupling standing	143.24x.xxx	67	1
coupling N standing	143.26x.xxx	171	1
console coupling N standing	143.28x.xxx	335	2
profile Z	143.00x.xxx	---	1, 2

** components are not part of delivery!

Suspension system material	Steel		Pivoting range	---
Gasket	---		Weight (g)	9.570
Mounting screws	M8 (4x)		Surface	Powder coating RAL 7035
Ingress protection	---			

technical changes subjected